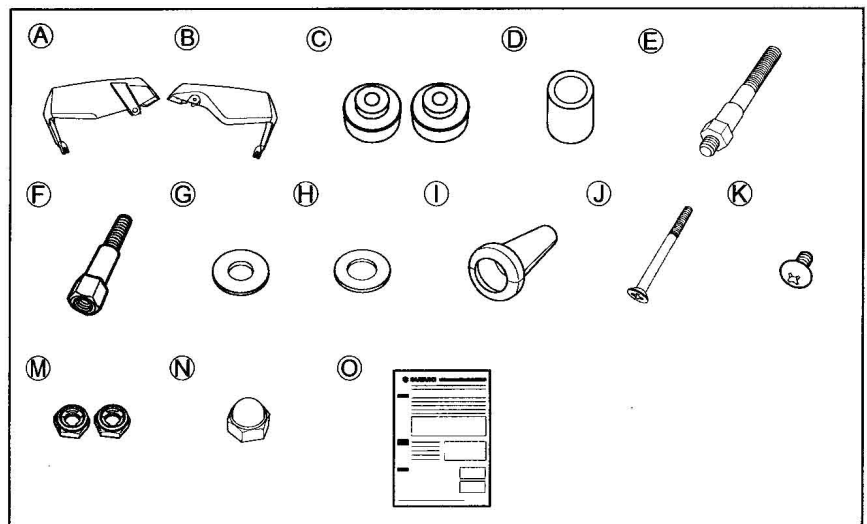



**Description: KNUCKLE COVER SET** Part Number: 57300-27820-291

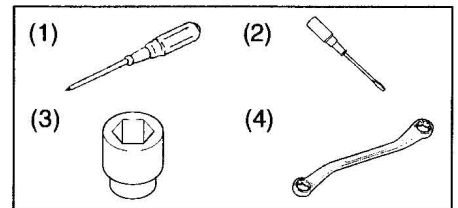
**Applications:** DL650

**Installation Time:** 0.4 Hours

Contents	Ref.	Description	QTY
	(A)	Knuckle Cover (L)	1
	(B)	Knuckle Cover (R)	1
	(C)	Cover Spacer	2
	(D)	Spacer	1
	(E)	Bolt (L)	1
	(F)	Bolt (R)	1
	(G)	Washer (6.5 x 16)	5
	(H)	Washer	1
	(I)	Boot	1
	(J)	Screw (140 mm)	2
	(K)	Screw	1
	(M)	Nut	2
	(N)	Crown Nut	1
	(O)	Installation Instructions	1


**Tools Required**

Ref.	Description
(1)	⊕ Driver
(2)	⊖ Driver
(3)	Socket (10 mm)
(4)	Wrench (10 mm)



**Important** **▲WARNING / CAUTION / NOTE**

Please read this manual and follow its instructions carefully. To emphasize special information, the symbol and words **▲WARNING, CAUTION** and **NOTE** have special meanings. These Special meanings apply except when laws or regulations require that the signal words be used with a different meaning. Pay special attention to the messages highlighted by these signal words.

**▲WARNING**

Indicates potential hazard that could result in death or injury.

**CAUTION**

Indicates potential hazard that could result in vehicle damage.

**NOTE:** Indicates special information to make maintenance easier or instructions clearer.

**Precautions for Installation**

1. Check that the kit includes **all the parts listed** in the first page.
2. Check each part in the kit for **scratches or any form of damage**.
3. Park the vehicle on a **level ground**.
4. Remove the ignition key from the **switch and store it in a safe place**.
5. Protect any items removed or to be **installed from scratches** by placing them on a soft cloth first before **putting them on the ground**.
6. Use care not to cause any damage to the **body of the vehicle** during installation of the accessory.

**Tightening Torque**

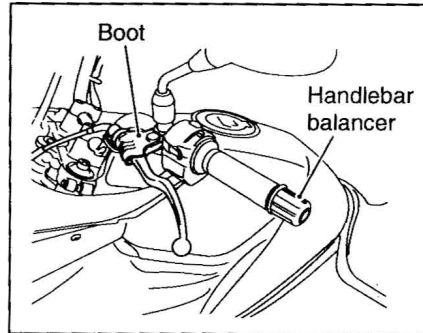
Tighten bolts to the torque indicated in the right table as standard value unless otherwise explicitly specified. The value shows conventional or "4" marked bolt tightening torque. For other bolts not listed in the table, refer to the service manual.

Diameter (mm)	Tightening Torque		
	N·m	kgf·m	lb·ft
5	3.0	0.3	2.0
6	5.5	0.55	4.0
8	13.0	1.3	9.5
10	29.0	2.9	21.0

**Installation 1. Removal**

1. Remove the Clutch Cable Boot .
2. Remove the handlebar balancer by removing the end screw. (LH and RH)

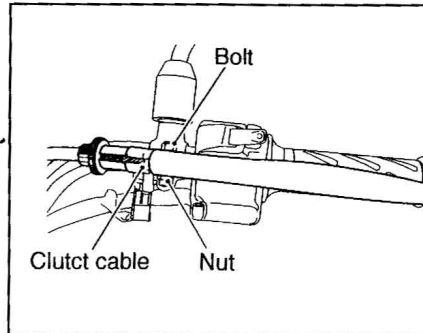
**NOTE:** You will reuse the removed handlebar balancer.



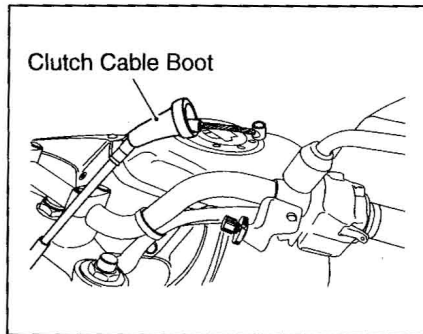
2. Remove the lever pivot bolt and nut. (LH and RH)

**NOTE:** Save the removed nut.

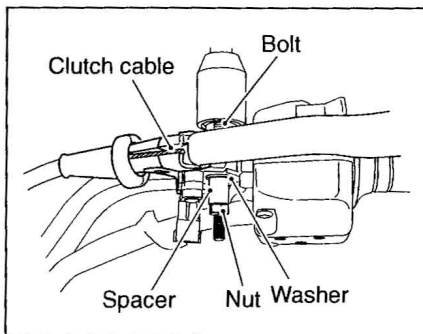
3. Remove the clutch cable.



4. Install the Clutch Cable Boot ①.

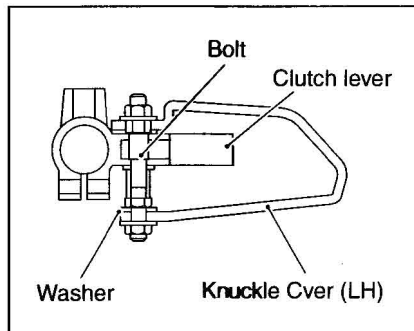


5. Install the clutch cable.
6. Install the Bolt ② (LH), ③ (RH), Washer ④ (LH) , Spacer ⑤ (LH) and the nut (LH and RH) that was removed step 1.

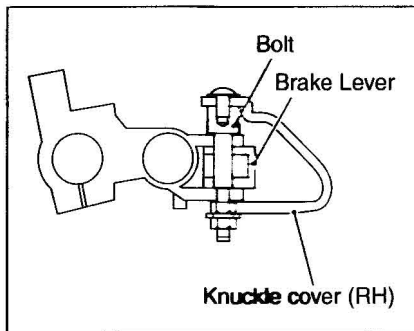


**2. Installation of Knuckle Cover**

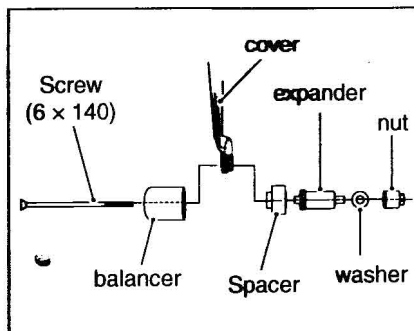
1. Install the Washer ③, Knuckle Cover ①. (LH)



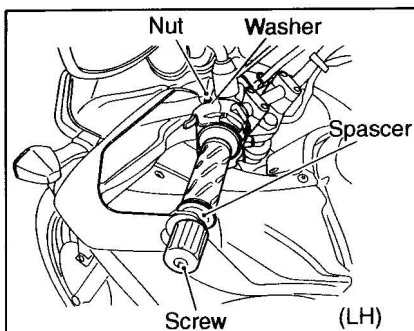
2. Install the Knuckle Cover ②. (RH)



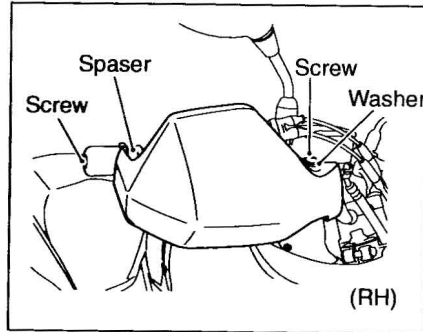
3. Install the Screw (6 x 140) ④, balancer, Spacer ⑤, expander, washer and nut to the cover.



4. Install the Washer ③ and Nut ⑥.  
5. Tighten the Screw ④ to fix the Spacer ⑤ and balancer.



6. Install the Washer ④ and Screw ⑤.
7. Tighten the Screw ⑥ to fix the Spacer ③ and balancer.



8. Install the Washer ⑦ and tighten the nut.

